

WILTON PLANNING AND ZONING COMMISSION

ARCHITECTURAL REVIEW BOARD/VILLAGE DISTRICT DESIGN ADVISORY COMMITTEE APPLICATION

Thomas Feeley
APPLICANT'S NAME

1120 Federal Road Bristlefield CT
ADDRESS

Jacob Mani
OWNER'S NAME

46 Breeds Hill Place Wilton CT
ADDRESS

S River Road
PROPERTY LOCATION

~~Wilton~~ Cent WC
ZONING DISTRICT

2269
WLR VOLUME

79
PAGE

73
TAX MAP #

25
LOT #

7.61
ACREAGE

THE FOLLOWING MATERIALS ARE REQUIRED:

* Please see SPECIAL INSTRUCTIONS FOR SUBMISSION DURING COVID at: Application Forms / Materials | Wilton CT

* All submitted plans and documents shall bear an original signature, seal, and license number of the professional responsible for preparing each item. Maps should be folded, not rolled - 11" x 17" Plan Copies

ELECTRONIC SUBMISSION OF ALL APPLICATION MATERIALS (CONSOLIDATED INTO 1 OR 2 PDFs MAXIMUM), emailed to: michael.wrinn@wiltonct.org & daphne.white@wiltonct.org

- i. An application form;
- ii. A statement describing the proposed project (use page 2 or attach separate sheet);
- iii. The following plans, where applicable, based on the nature of the proposed project:

1. An A-2 survey for any proposal involving the physical enlargement of a building, structure, parking area and/or vehicle access aisle.

2. A site plan drawn at a scale of no greater than 1" = 60', incorporating an A-2 survey (where required), of the property sufficient to show the location of:

- a. wetlands, upland buffers, watercourse and flood zones, if any;
- b. existing and/or proposed buildings and appurtenances thereof;
- c. existing and/or proposed parking accommodations;
- d. existing and/or proposed lighting
- e. existing and proposed buffer strips and landscaping;
- f. access and egress details for pedestrian and vehicular traffic;
- g. existing and/or proposed signs, and
- h. adjacent roads, curb cuts, and width of rights-of-way and travel way.
- i. easements, regulatory setbacks, historic covenants or other historic assets.

3. Floor plans at each level showing the basic divisions of the building, all entrances, exits and loading and service areas.

4. A description of the architectural vernacular of proposed construction and its architectural relationship to other buildings within 500 feet.

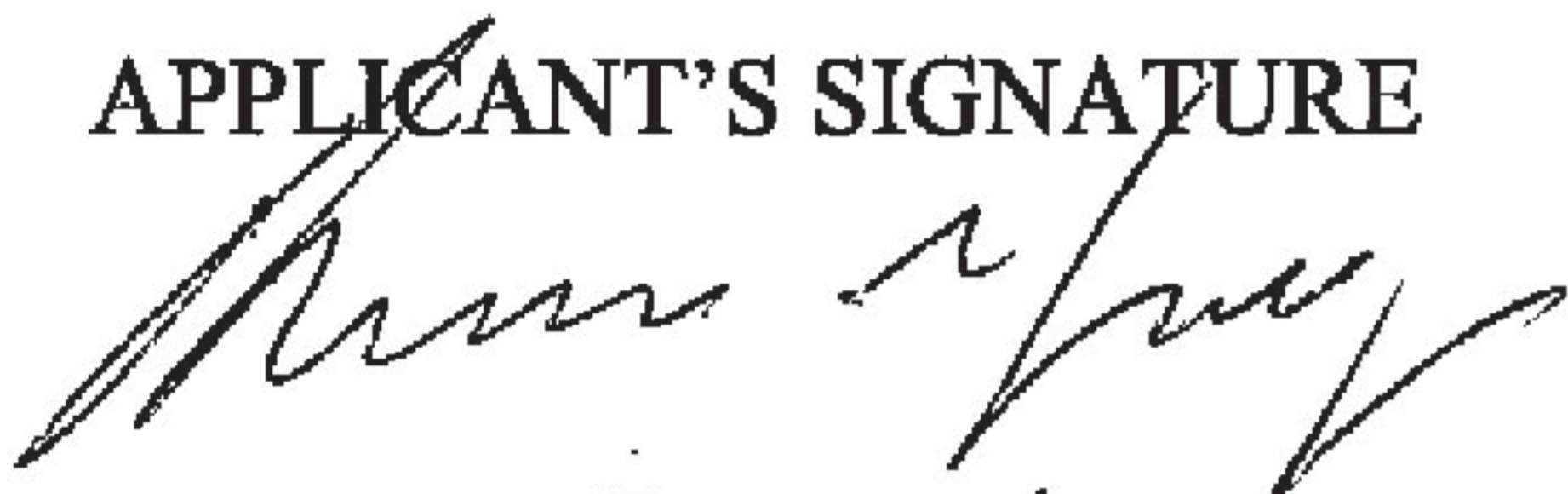
5. Elevation drawings of all sides of the building, with dimensions, finish materials, fixtures, lighting, signage, landscape and colors indicated.

- 6. Samples of all finish materials to be used on the exterior of the building.
- 7. A roof plan showing all mechanical equipment, vents, hatches, skylights, solar arrays, wind turbines, green roofing etc., and the type and extent of screening to be provided.
- 8. A signage plan with a scaled drawing showing the design of any proposed signage, including dimensions (length, width, height), a drawing of sign design and content, colors of sign, materials for construction and illumination, together with a site plan showing location of proposed free-standing sign and/or building elevations showing location and proportions of wall signs.

THE APPLICANT understands that this application is to be considered complete only when all information and documents required by the Commission have been submitted and is responsible for the payment of all legal notices incurred.

THE UNDERSIGNED WARRANTS the truth of all statements contained herein and in all supporting documents according to the best of his or her knowledge and belief; and hereby grants visitation and inspection of the subject property as described herein.

APPLICANT'S SIGNATURE



DATE

9/1/23

TELEPHONE

203-~~708~~994-0959

OWNER'S SIGNATURE



DATE

9/5/23

TELEPHONE

845-664-3073

PROJECT NARRATIVE:

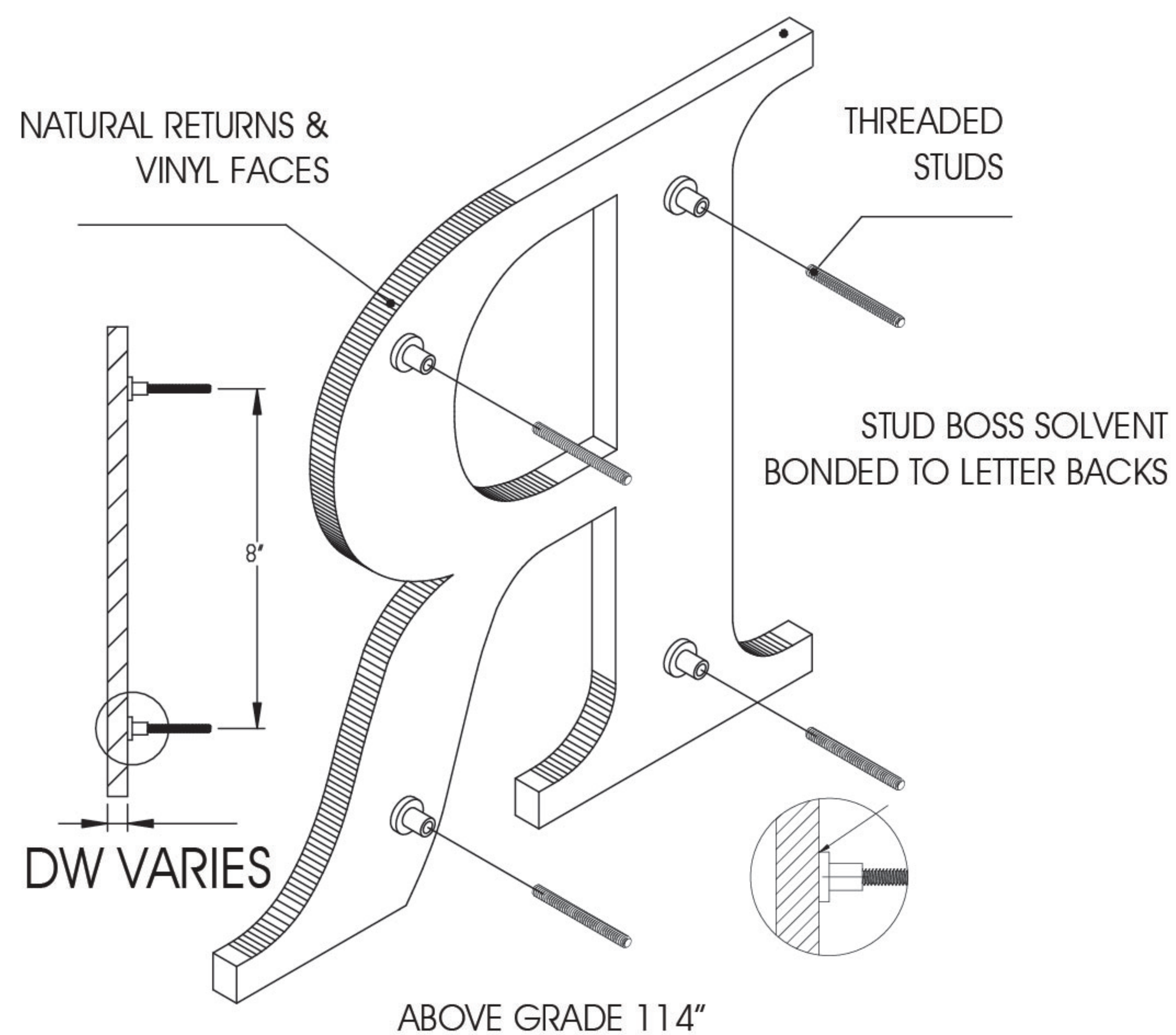
PVC painted pin letters,
 STUO mounted on to wall,
 NONE illuminated

66in



30.5in

Non Illuminated Layered Acrylic Letters | Direct/flush Mounted



VISION
signsbyvision.com

signsbyvision.com

 **THE Vital**[®]
STRETCH



Vital

NON ILLUMINATED
LAYERED ACRYLIC LETTERS | DIRECT/FLUSH MOUNTED
13.9 SQ FT

This artwork remains the property of Vision Designs, Brookfield, CT. It is provided for your consideration in the purchase of products and services built according to these plans. This design and artwork cannot be copied in whole or part, altered, forwarded or exhibited in any manner without the written permission of Vision Designs of CT. Any unauthorized use of this proof drawing or artwork may result in civil liability. NOTE - This proof is not an accurate representation of printed colors. Vision matches to the Pantone Matching System (PMS), to ensure correct colors please specify PMS C (coated) colors or pick from swatch books at showroom